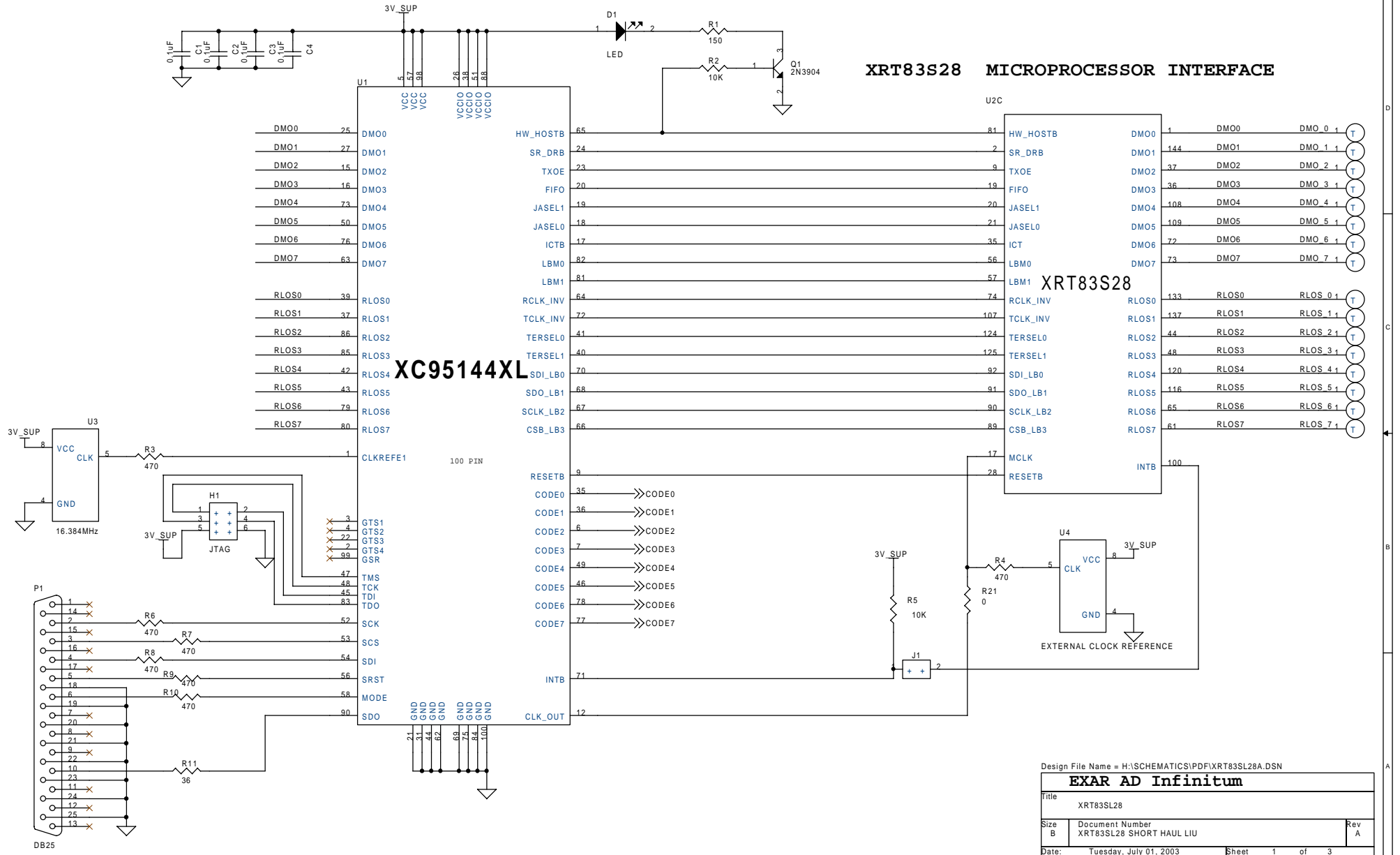


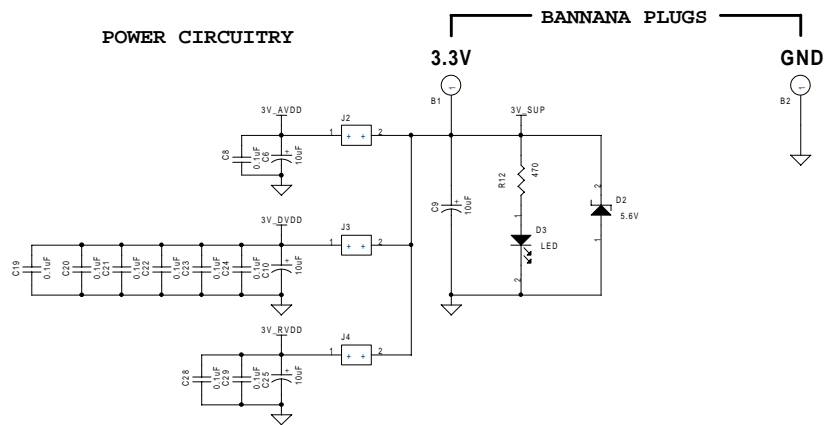
XRT83S28 MICROPROCESSOR INTERFACE



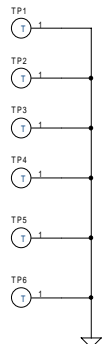
Design File Name = H:\SCHEMATICS\PDF\XRT83SL28A.DSN

EXAR AD Infinitum		
Title	XRT83SL28	
Size	Document Number	Rev
B	XRT83SL28 SHORT HAUL LIU	A
Date:	Tuesday, July 01, 2003	Sheet 1 of 3

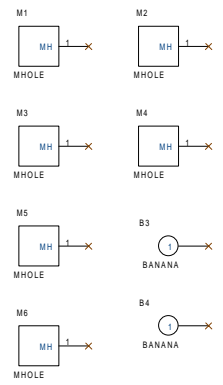
POWER CIRCUITRY



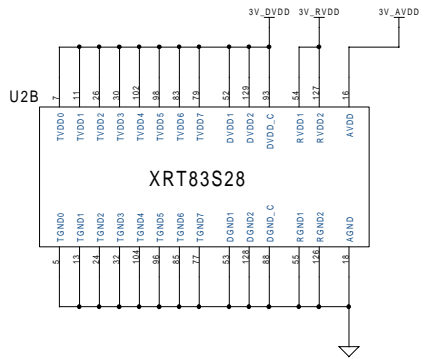
GROUND POINTS



MOUNTING HOLES



POWER AND GROUND

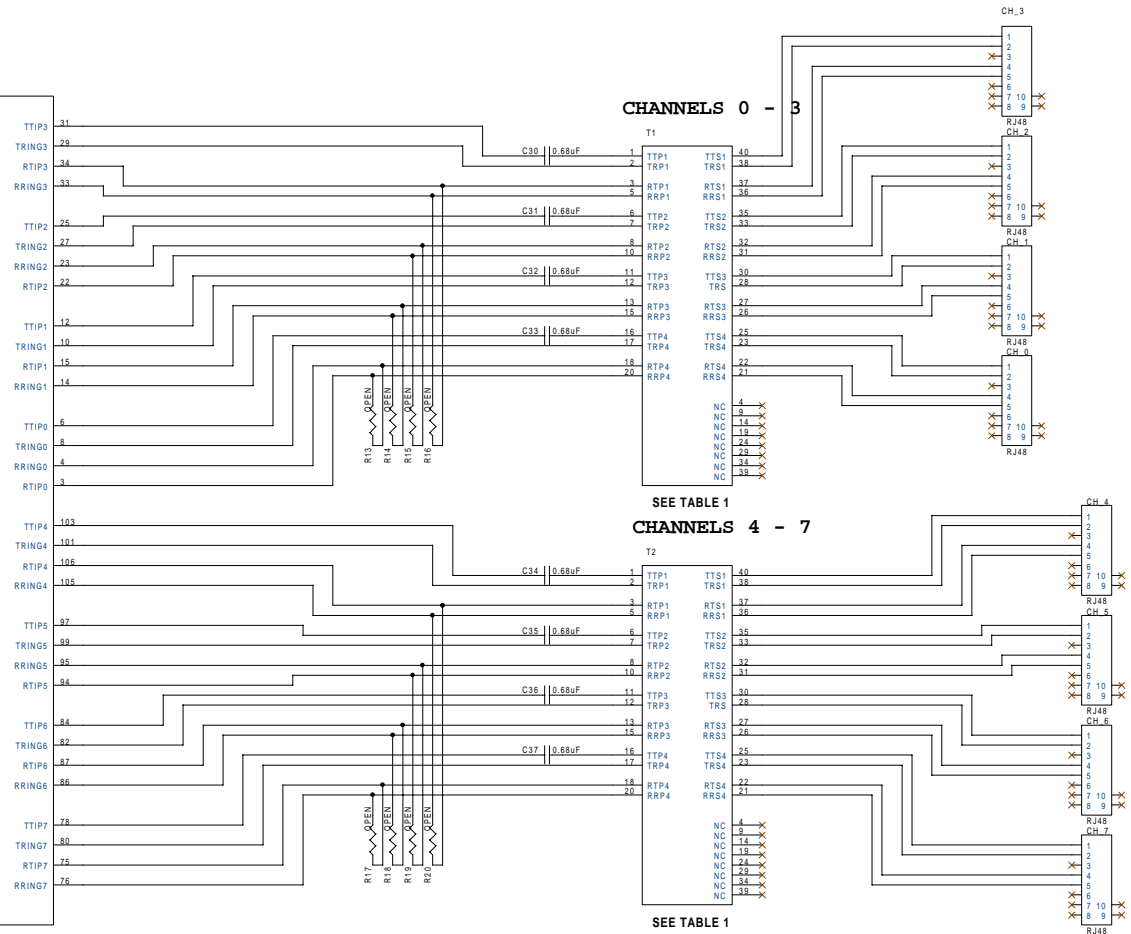


XRT83SL28 ANALOG INTERFACE



XRT83S28

TRANSFORMER INTERFACE (SMD408-19)



CHANNELS 0 - 3

CHANNELS 4 - 7

TABLE 1 TRANSFORMER SELECTION

TRANSFORMERS	
TRANSPOWER	SMD408ET-15
PULSE	T1108
HALO	TG83-1505NX

NOTE: PART REFERENCES ONLY, CONTACT VENDORS FOR PINOUT INFORMATION